

# INSTALLATION INSTRUCTION

## DUAL-FUNCTION SINK FAUCET

### ※ ACCESSORIES CHECKING

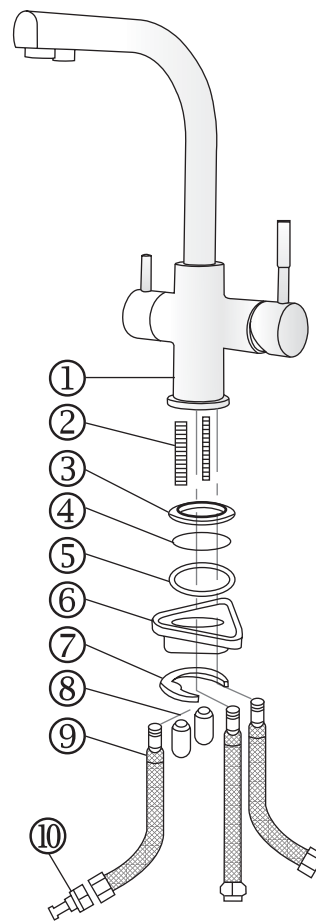
LIST OF THE STANDARD ACCESSORIES:

Please double-check the accessory list hereinafter and contact our company or our distributor for any unconformity.

Remarks:

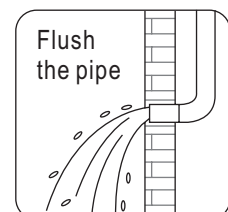
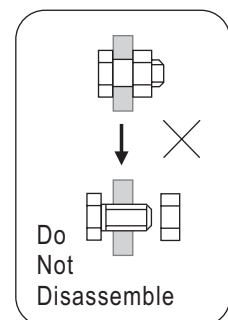
1. Without affecting their performing, accessories may be changed without further notice.
2. Drawings for reference only. Product size & shape refer to actual faucet.

Code	The Accessory List	Quantity
1	Main body	1
2	Rod Screw	2
3	Base ring	1
4	O-Ring	1
5	Rubber cushion	1
6	Plastic pressing cover	1
7	2-holes Gasket	1
8	Long nut	2
9	Inlet pipe	3
10	Quick tie-in	1



### ※ Installation Instructions

- Do not disassemble the main body, as it has been installed & commissioned correctly & precisely before leaving the factory.
- To avoid the faucet from jamming do flush the water pipe before installation.
- After installation, make sure every joint safely sealed & no leaking.
- Using condition: Working pressure at 0.05-1.0MPa (including cold & hot water pressure) with applicable water temperature: 4°C~90°C.
- Make sure to connect the hot water inlet pipe correctly, if standing in front, hot water pipe connecting to the left & cold water pipe connecting to the right.

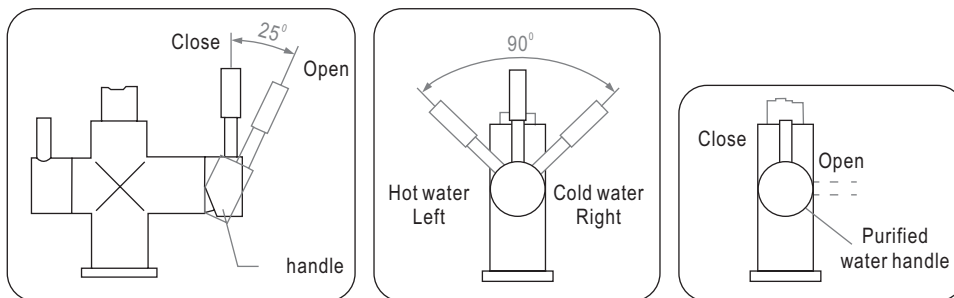
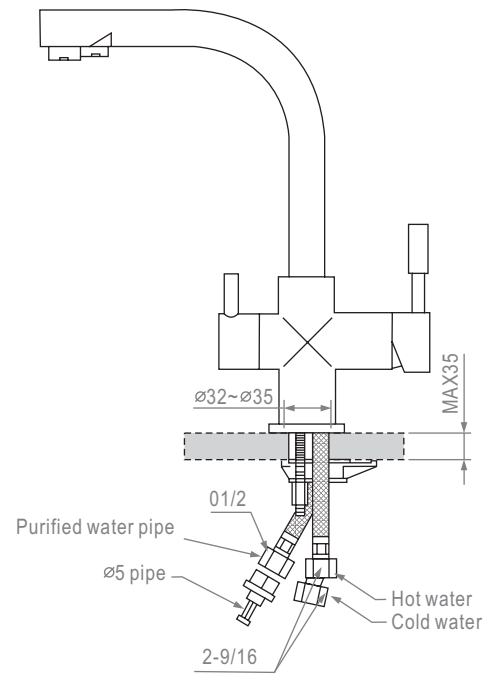


## ※ Installation Procedures

- Make sure the installation holes to be in right size.
  - Install the sink faucet as per drawing.
- Connect the main body & water supply pipe with 450mm water inlet pipe;  
Insert the  $\varnothing 6$  pipe from the water purifier into (9) quick tie-in.  
Connect quick tie-in to another 400mm water inlet pipe.

## ※ Usage:

- How to operate the mixer handle
- 1) Raise the handle lever up for opening water, push down to dose;
  - 2) Turn the handle lever to the left to increase hot water flow higher water temperature, and lower the water temperature by operating reversely.
- How to operate the purified water handle:
- Turn the purified water handle anti-clockwise to open purified water valve.  
The more you turn, the larger flow rate you will get. To close or reduce the flow rate, just turn opposite way;



## ※ Cleaning & Maintenance

- To keep the product clean & shining, follow the steps as below:
  1. Flush with clean water & dry with soft cloth only;
  2. If any dirt, clean with soft liquid or transparent glass detergent
  3. Do not use any scrubbing detergent polisher, sand-cloth, paper tissue or scraper.
  4. Do not use acid detergent, indissolvable grain-like detergent or soap.
  5. Circumrotatable the aerator off and clean it when necessary.



## ※ Remark: The instruction available for the following faucets:

