

Memo

Type of product			
Date of purchase			
Name		Tel	
Address			

PURE-PRO 07 REVERSE OSMOSIS SYSTEM

PUREPRO
DRINKING WATER SYSTEM

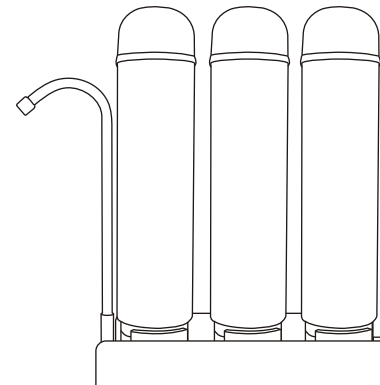


WATER FILTRATION SYSTEMS

CT3000

USER'S MANUAL

- 01 Introduction of CT3000
- 02 Cartridge filters
- 03 Components & Other selections
- 04 Tubing connection diagram
- 05 Installation diagram
- 06 Change filters



Thank you very much for selecting Pure-Pro Water Corp.
In order to bring the best use of your system, please read the user's manual carefully before installation and follow the regulations.

CT3000 Easy-change cartridge water filters

PUREPRO
DRINKING WATER SYSTEM

Introduction of CT3000

CT3000 Countertop water filters

Our CT3000 filters safely and effectively remove microorganisms like Giardia and Cryptosporidium from your water protecting you and your family from parasitic illnesses caused by these contaminants.

The patented quick-change filter technology also improves the taste and overall quality of your water by reducing the amount of Lead, Chlorine, Asbestos and other impurities often found in water supplies.

Efficient and easy to use, our CT3000 Countertop & Under sink Water Filters provide 1500 gallons (four to six months worth) of quality water and connecting directly to your tap, this water filtration product is convenient and practical. This unit will purify up to 1500 gallons of water by removing lead and other heavy metals as well as chlorine, bad tastes and odors.

Features

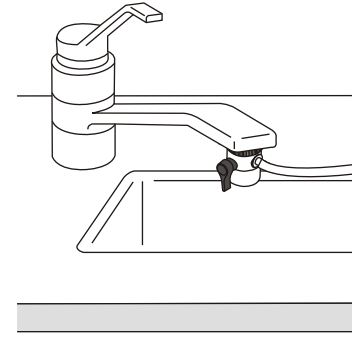
- Complete 3 stage water filter system.
- Use twist and quick-change cartridge design makes filter changes fast, clean and easy.
- Feed water connector & deliver valve
- Completely Assembled & Water leaking testing
- 100% Factory Tested and Sterilized Ready for Installation.

Specifications

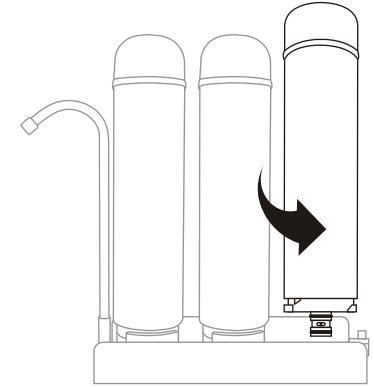
- Dimensions: (cm) 24.0 (L) x 31.0 (H) x 9.0 (W)
- Weight: 4.5 kg

Change filters

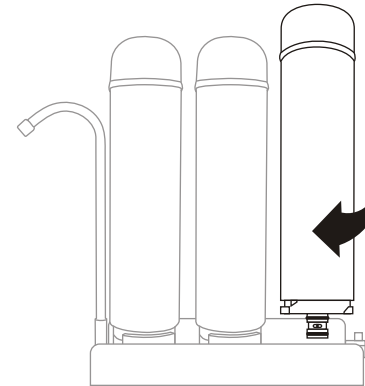
1. Turn off water source.



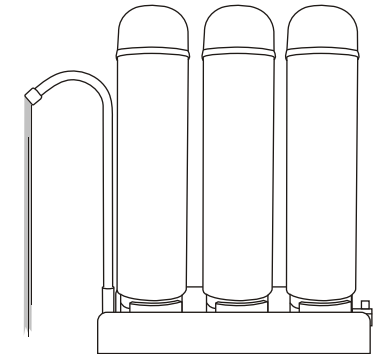
2. Loosen the used pre-filter anticlockwise and remove it.



3. Screw in and install the new filter clockwise.



4. Turn on water supply.

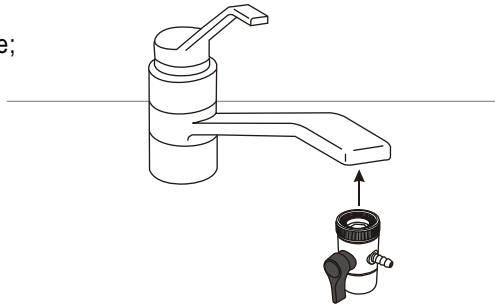


Drain out 1 Gallon of water to purify replacement filters.

Installation diagram



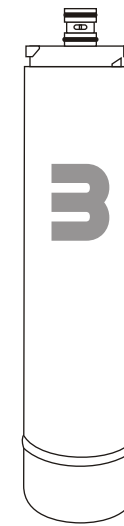
Ⓞ Install faucet adaptor :

Screw in the adaptor to the faucet head clock-wise; make sure it is connected to the faucet head.



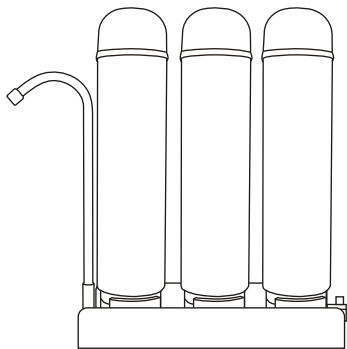
Cartridge filters

Filter Description

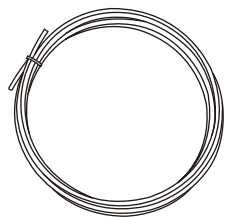
RS300ST	RS300ND	RS300RD
		
Stage 1 5 Micron Sediment Filter	Stage 2 GAC Carbon Filter	Stage3 GAC Carbon Filter
<p>With only five micron rating. It is effective in removing dirt, rust and sand particles.</p>	<p>It takes out 99% of the chlorine and organic chemicals. It provides enhanced reduction of taste, odor, and color.</p>	<p>It takes out 99% of the chlorine and organic chemicals. It provides enhanced reduction of taste, odor, and color.</p>

Components & Other selections

Components



CT3000

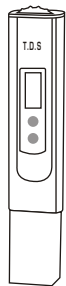


Tubing

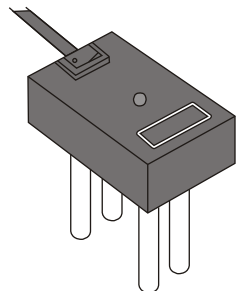


Faucet adaptor

Other selections



TDS meter



Electronic Color Tester

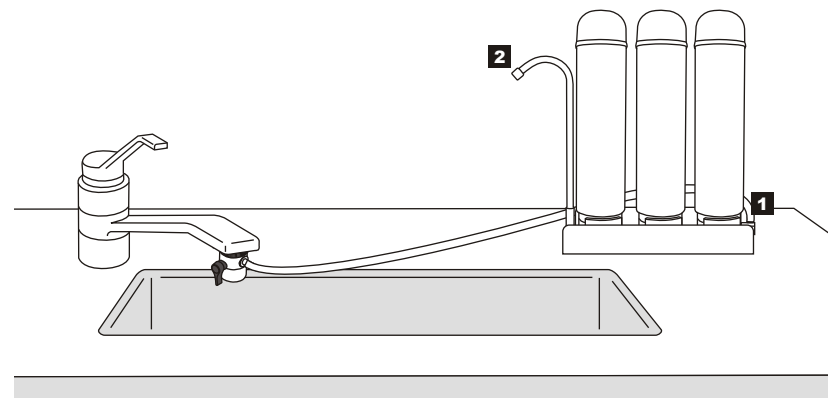


Shower filter

CT3000 Easy-change cartridge water filters

Tubing connection diagram

- 1 In Let
- 2 Out Let



CT3000 Easy-change cartridge water filters