

# Memo

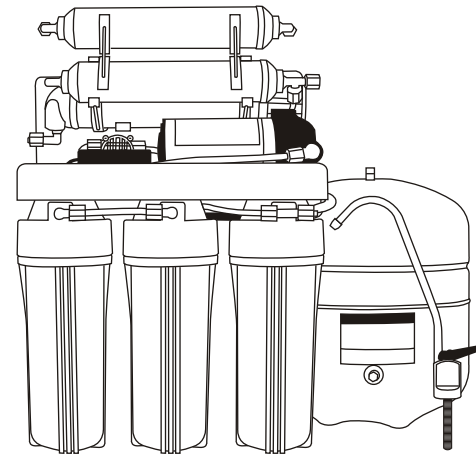
Type of product	EC106R-P		
Date of purchase			
Name		Tel	
Address			

## REVERSE OSMOSIS SYSTEM

# ***EC106R-P***

## **USER'S MANUAL**

- 01 Introduction of EC106R-P
- 02 What is reverse osmosis
- 03 Components & Selected filters
- 04 Cartridge filters
- 05 The parts of EC106R-P
- 06 Tubing connection diagram
- 07 Installation diagram
- 08 Change filters
- 09 Change membrane
- 10 Operation regulation
- 12 The functions of Infra-Red filter
- 13 FAQ
- 14 Maintenance checking list
- 15 Memo



**Thank you very much for selecting Pure-Pro Water Corp.**  
In order to bring the best use of your system, please read the user's manual carefully before installation and follow the regulations.

# Introduction of EC106R-P

## EC106R-P User-Friendly RO System

Comply with revolutionary advanced technologies, new 6-Stage with Infra-Red filter, and booster pump. With highly positive performance, EC106R-P not only can be installed easily, but activates water molecules in your body and improve oxygen level in your body. EC106R-P provides with 50 gallons of clear, refreshing water that is not only healthy to drink, but good for cooking. It's capable of removing over 95% of total dissolved solids, +99% of all organic and +99% of all bacteria, as well as reducing the following hard water contaminants that may be present in your water: lead, cooper, barium, chromium, mercury, sodium, cadmium, fluoride, nitrite, nitrate, and selenium. Moreover, infra-red rays affect on our human body are as: activate water molecules in our body and improve oxygen level in our body, warm and eliminate fats, chemicals and toxins from our blood and thus smoothen the flow of blood, eliminate of other waste from human body, reduce the acidic level in our body, improve nervous system functionality. EC106R-P is the finest unit of its class.

### Features

- 100% factory tested and sterilized ready for installation
- 3.2 gallons NSF standards water storage tank
- FDA approved polypropylene made flat cap housing (double O'ring)
- Automatic shut-off valve
- Flow restrictor
- Stainless steel check valve
- Long reach chrome faucet
- Feed water connector
- Drain saddle valve
- Four-color coded 1/4 inch tubing for system connection
- Completely assembled

### Specifications

- Production: 50 GPD/ 189 LPD
- Available in 110Volt, 220Volt or 240Volt (50/60Hz) with a transformer
- Operation pressure: 5-80 PSI
- Dimensions: (cm) 37 (L) x 20 (W) x 48 (H) - System  
(cm) 28 (L) x 28 (W) x 35 (H) - Tank
- Weight: 9 kg - system  
4 kg - tank

# Maintenance checking list

Filters	1st stage	2nd stage	3rd stage	4th stage	5th stage	6th stage
	Date					

## FAQ

### Q: What is the guarantee on the PurePro system ?

The PurePro system (excluding filters) is guaranteed for 1 year for material and workmanship. All defective parts will be replaced free within the first year under natural breakdown. The membrane has one year pro-rated guarantee.

### Q: What factors affect the quantity and the quality of the water production?

There are four major variables to consider:

1. **Pressure**-The greater the water pressure, the better water quantity and quality it produced. Water pressure of 60 PSI is ideal.
2. **Temperature**-76°F is the ideal water temperature for R.O. 40°F water will cause the production of R.O. water to fall to half of that at 76°F. The maximum water temperature recommended is 85°F.
3. **Total Dissolved Solids (TDS)**-The higher the amount of dissolved contaminants in the water, the lower the quantity of water produced. A high level of TOTAL DISSOLVED SOLIDS can be overcome with additional water pressure.
4. **Membrane**-Different membranes have different characteristics. Some produce more water than others; some have better contaminant rejection capabilities; some have greater resistance to chemical abrasion for longer life. PurePro system includes TW30-1812-50 The Thin Film Composite (TFC) membranes combine the best of these characteristics and are considered the finest membrane in the world.

### Q: What is the maintenance schedule for the PurePro system ?

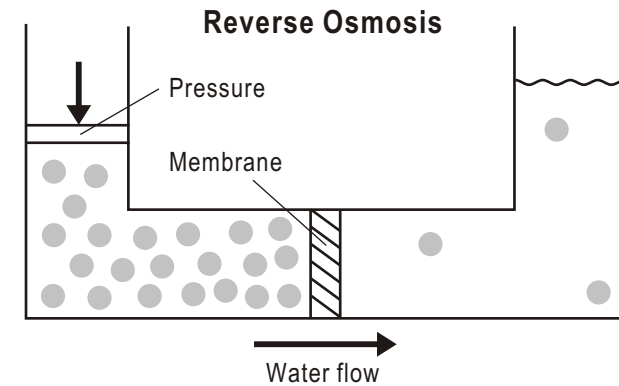
The three pre-filter cartridges should be changed every 6 months. The 5 micron sediment cartridge filter is the first one; the second is a carbon cartridge filter, and the third one is a 1 micron sediment filters. (some systems comes with the Extruded carbon filter.) Failure to change the cartridge every 6 months may cause chlorine to destroy the membrane.

### Q: What does the PurePro series drinking water taste like?

The taste of the PurePro water depends on the amount of contaminants in the tap water originally. If 95% of dissolved minerals and chemicals are removed, the R.O. water may taste like distilled water (no minerals), bottled water (low mineral), or natural spring water (moderate mineral content).

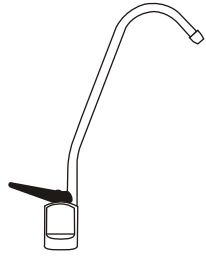
## What is reverse osmosis

Reverse osmosis was originally designed to make sea water drinkable for the navy. It is ideal for anyone on a low sodium diet. An R.O. membrane has a pore size much smaller than bacteria virus, or the cryptosporidium parasite. When functioning properly it will remove all microorganisms from tap water and produce sterile water. Reverse osmosis is the reversal of the natural flow of osmosis. In a water purification system, the goal is not to dilute the salt solution, but to separate the pure water from the salt and other contaminants. When the natural osmotic flow is reversed, water from the salt solution is forced to pass through the membrane in the opposite direction by application of pressure-thus the term REVERSE OSMOSIS. Through this process, we are able to produce pure water by screening out the salts and other contaminants.

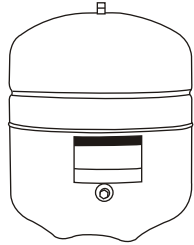


# Components & Selected filters

## Components



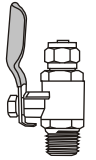
Standard faucet



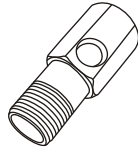
3.2G water storage tank



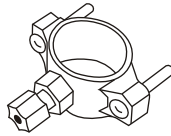
Housing wrench



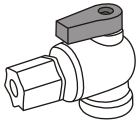
Deliver-valve



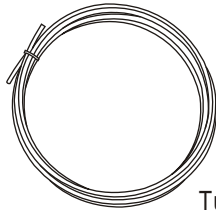
Water supply connector



Drain saddle



Tankball shut-off valve

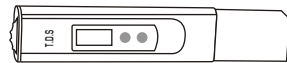


Tubing

## Selected filters



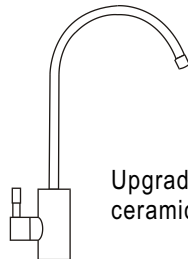
Mineral cartridge filter



TDS meter



UV water sterilizer



Upgraded European ceramic faucet

EC106P User-Friendly RO System

# The functions of Infra-Red filter

Far Infrared rays (FIR) are part of the sunlight spectrum, which is invisible to the naked eye. The wavelength of the far infrared rays ranges from 4 microns to 1000 microns. The recent studies in biotechnology field revealed that the far-infrared rays played an important role for formation and growth of all living organisms. For this reason, these specific far-infrared rays are called "biogenetic rays". Water and proteins are the integral parts of all living organisms on Earth. Water molecules are always oscillating. Water makes up 70% of mass of the human body. FIR is able to activate, revitalize, reactivate, develop and strengthen various organs in our bodies when it is absorbed.

In the various organs of human body, the circulatory system plays an important role, especially in micro-circulatory system. When there are problems with micro-circulatory system, various ailments will occur. FIR vibrating at a frequency similar to that of human body is able to penetrate the body activates cells and reactivates as well as strengthens the micro-circulatory systems. It regulates the blood flow and blood in blood vessels, which have been blocked due to blood clots and at the same time reactivate the vital energy in the body.

Elevation of the immunity of our bodies against diseases is another benefit of FIR waves. This is part of the effects of the improvement in micro-circulatory system and metabolism of the body. It helps slow down the aging process, increase resistance against diseases and increases longevity.

The effect of Far-infra-red rays to our human body is as follows:

- Activating water molecules in our body
- Improving oxygen level and nervous in our body
- Warming and eliminating fats, chemicals, toxins, and other waste from our blood and thus smoothing the flow of blood
- Reducing the acidic level in our body
- Preventing bacteria from growing
- Relieving pain
- Softening of hard water
- Eliminating bad odor in water
- Purifying air
- Strengthening and improving health
- Speeding up repair of body cells
- Balancing acid level in human bodies
- Normalizing blood cholesterol
- Preventing mould
- Enhancing and maintain freshness
- Helping plants grow better

EC106P User-Friendly RO System

## Operation regulation

- A. With everything connected, turn on the water check for leaks.
- B. Make sure the storage tank shut-off valve is "OFF". Open the sink top faucet.
- C. Within a few minutes (up to 15) the water will start to run from the faucet slowly.
- D. Let the water run for at least 30 minutes. This flushes the carbon filters on first time use.
- E. After initial flushing, open the shut-off valve on the tank and close the sink top faucet.
- F. Tank will now full of water (usually 2 to 3 hours) after the tank has filled. Open the sink top faucet and drain all water until the storage tank is empty and there is only a small flow from the sink top faucet. \*\*\* DO NOT USE FIRST TANK OF WATER. \*\*\*
- G. Close the sink top faucet. The system is now ready for use.
- H. Change filters regularly every 6 to 12 months and have the membrane checked annually.

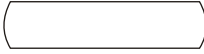





### Caution

1. Do not use hot water (over 45°C)!
2. Do not freeze the machine!
3. Switch off electricity and water source if away for more than 5 days, and drain out pure water.

EC106P User-Friendly RO System

**PUREPRO**  
DRINKING WATER SYSTEM

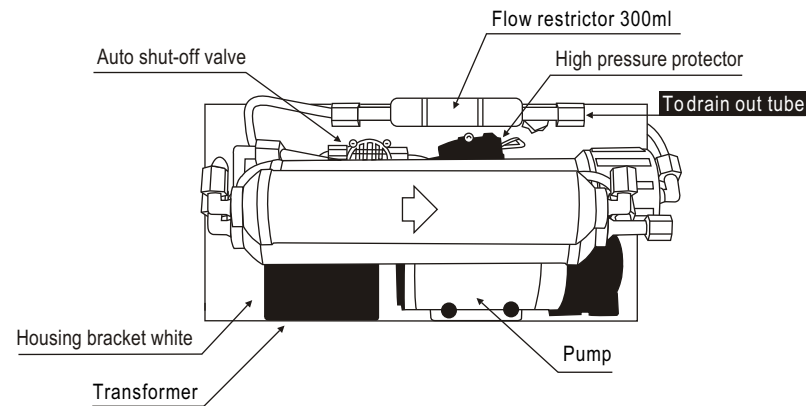
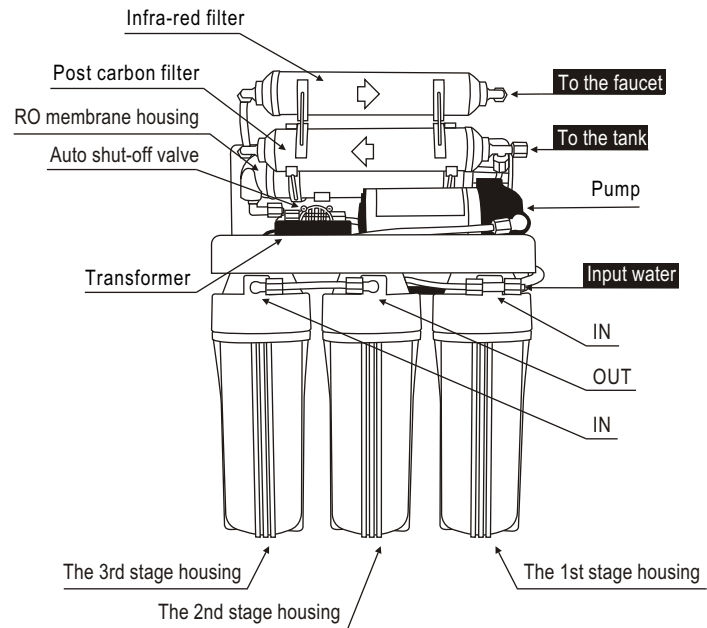
## Cartridge Filters

Cartridge Filters	Filter Description	Service Life
<b>Stage 1</b> <b>5 Micron Sediment Filter</b> 	This 5micron sediment filter is made of 100% pure polypropylene fibers. High capacity filter removes dusts, particles and rusts.	6 Months
<b>Stage 2</b> <b>Block Carbon Filter</b> 	This block carbon filter is composed of high-performance carbon that removes free chlorine, odor, organic contaminants, pesticides and chemicals that contributed to taste and odor.	6 Months
<b>Stage 3</b> <b>1 Micron Sediment Filter</b> 	This 1micron sediment filter is made of 100% pure polypropylene fibers. High capacity filter removes dusts, particles and rusts.	6 Months
<b>Stage 4</b> <b>TFC Membrane</b> 	Made in USA. High rejection TFC type membrane with the capacity of producing 50 gallons per day. This membrane removes the following hard water contaminants that may be present in your water: lead, copper, barium, chromium, mercury, sodium, cadmium, fluoride, nitrite, nitrate, and selenium.	2 Years
<b>Stage 5</b> <b>Post Carbon Filter</b> 	NSF approved. This post carbon filter is designed to improve taste. It removes any residual impurities and odors from the tank and provides a finer conditioning of pure water.	1 Year
<b>Stage 6</b> <b>Infra-Red Filter</b> 	This Infra-Red filter can activate water molecules in our body and improve oxygen level in our body. Warm and eliminate fats, chemicals and toxins from our blood and thus smoothen the flow of blood.	1 Year

EC106P User-Friendly RO System

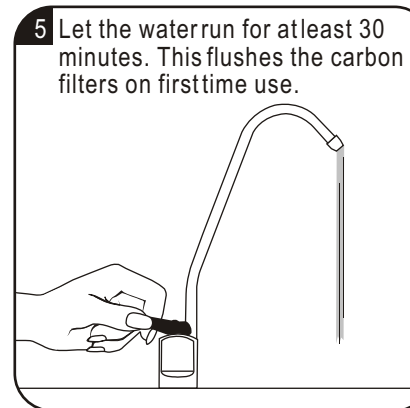
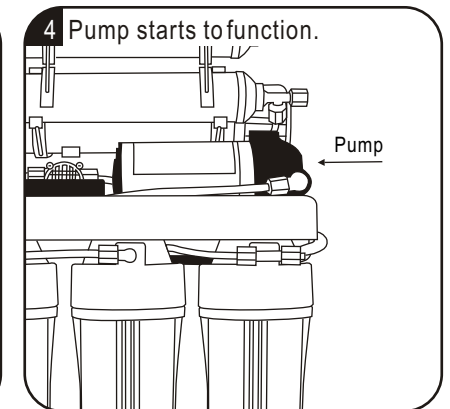
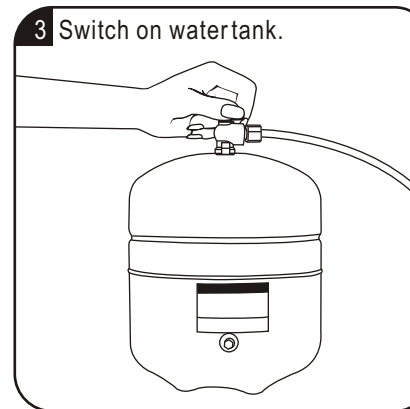
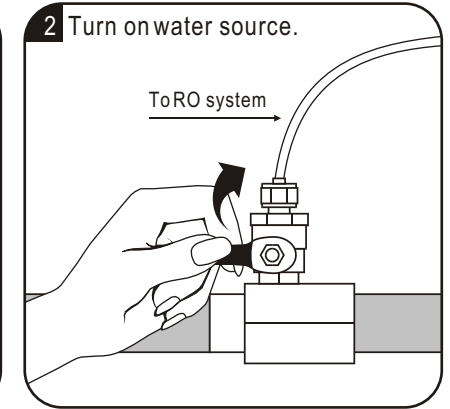
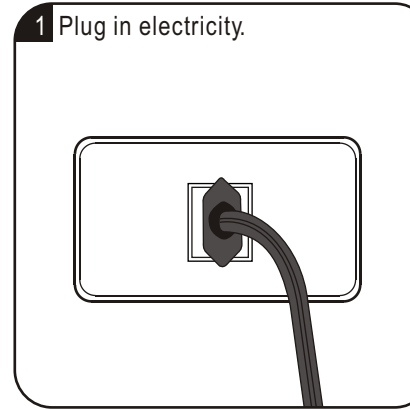
**PUREPRO**  
DRINKING WATER SYSTEM

# The parts of EC106R-P



EC106P User-Friendly RO System

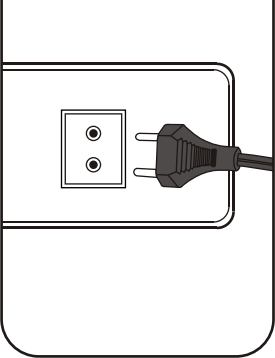
# Operation regulation



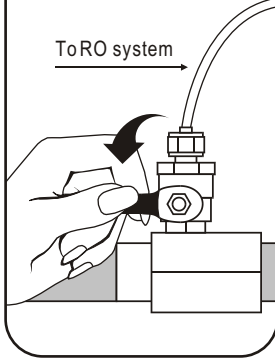
EC106P User-Friendly RO System

## Change membrane

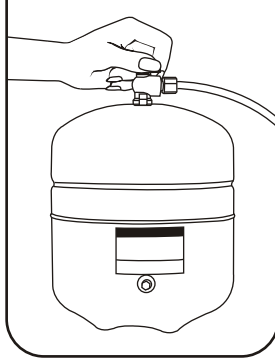
1 Unplug electricity.



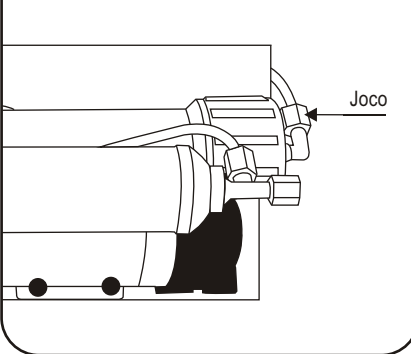
2 Turn off water source.



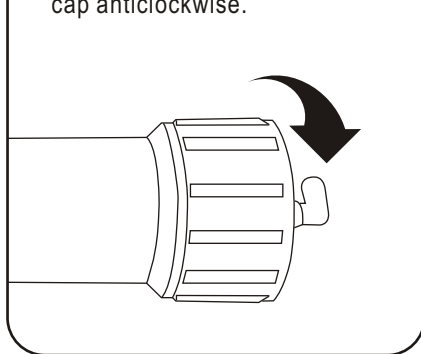
3 Switch off water tank.



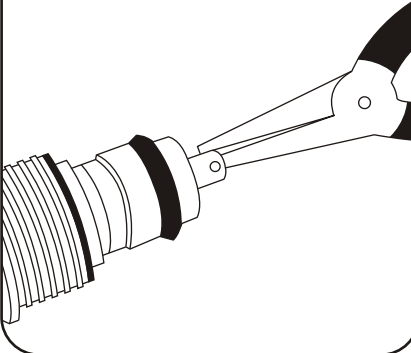
4 Loose the Joco fitting anticlockwise.



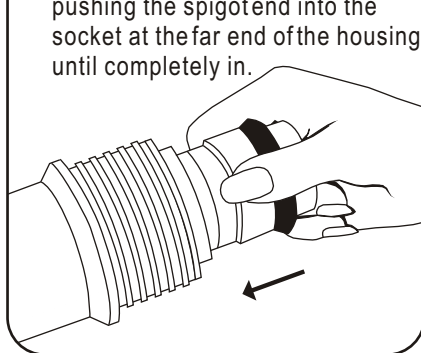
5 Remove the membrane housing cap anticlockwise.



6 Remove the membrane by a pincer.



7 Install the membrane by carefully pushing the spigot end into the socket at the far end of the housing until completely in.



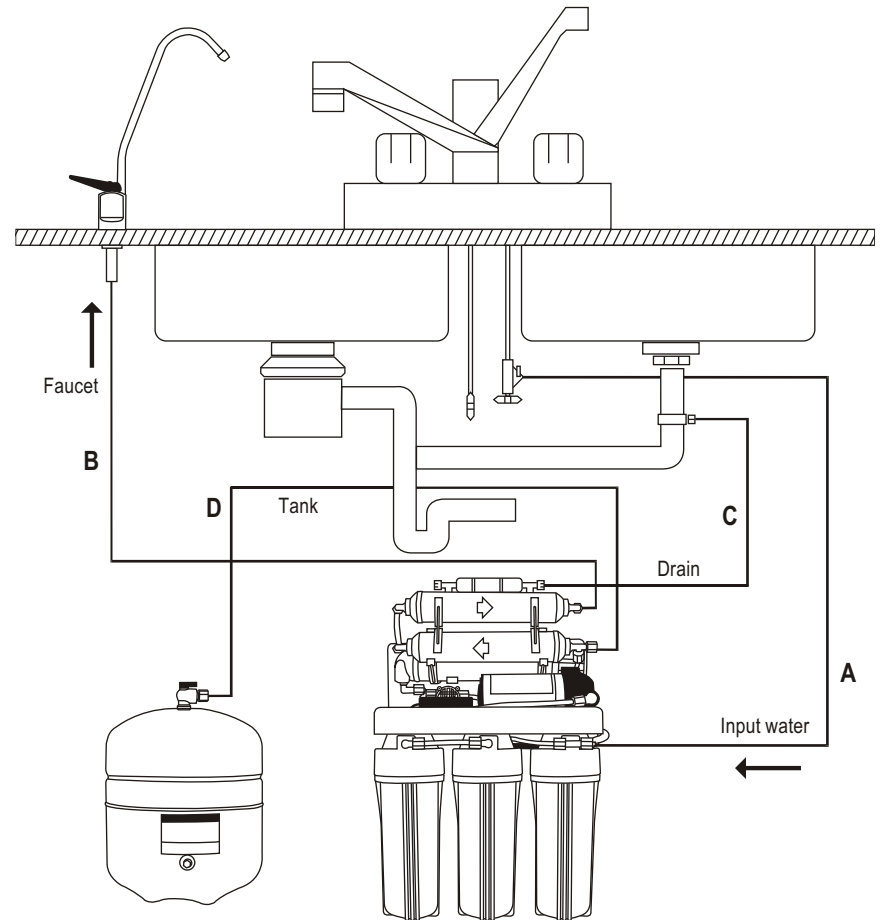
EC106P User-Friendly RO System

**PUREPRO**  
DRINKING WATER SYSTEM

## Tubing connection diagram

### CONNECTING THE COLORTUBING:

- A. Connect the WHITE tubing to the water supply connector.
- B. Connect the BLUE tubing to the sink top faucet.
- C. Connect the BLACK tubing to the drain saddle.
- D. Connect the RED tubing to the storage tank.

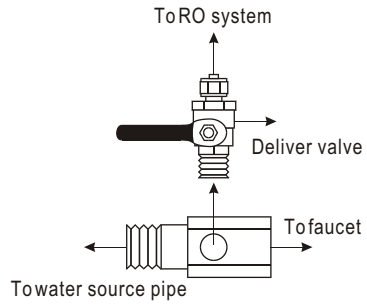


EC106P User-Friendly RO System

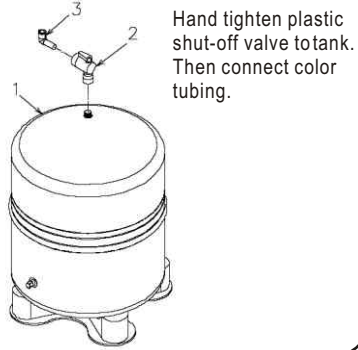
**PUREPRO**  
DRINKING WATER SYSTEM

# Installation diagram

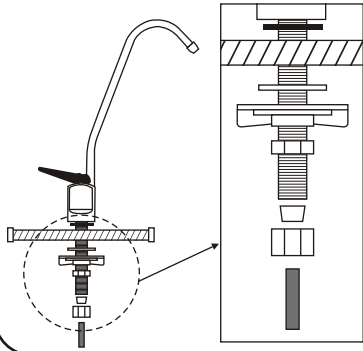
## Input water :



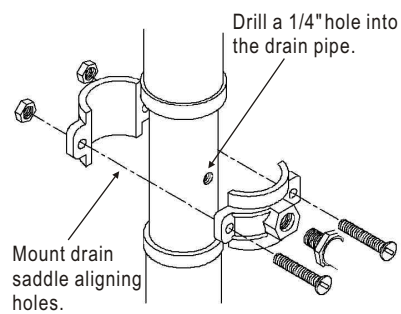
## Install water tank :



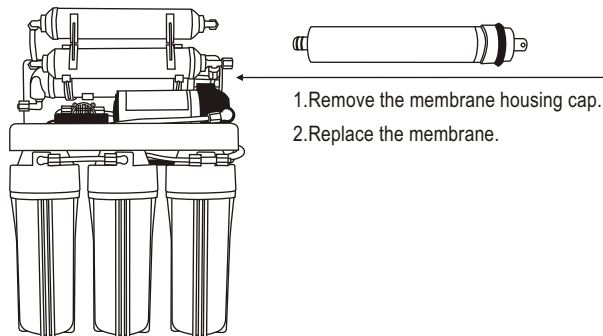
## Install faucet :



## Install drain saddle :

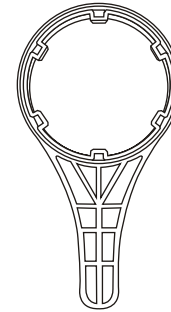


## Assemble membrane :

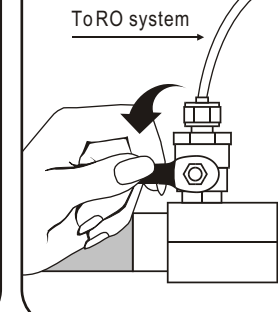


# Change filters

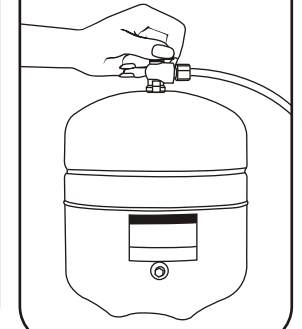
## 1 Prepare a housing wrench.



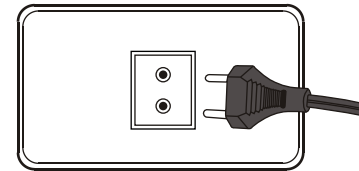
## 2 Turn off water source.



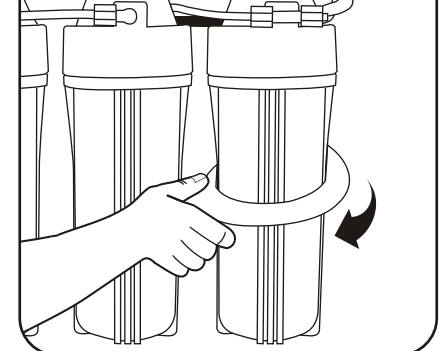
## 3 Switch off water tank.



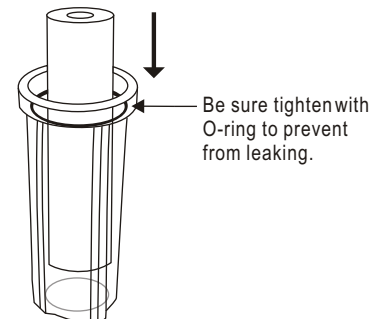
## 4 Unplug electricity.



## 5 Open housings clockwise with a wrench.



## 6 Put the replacement filters in the housings and double O' ring.



## 7 Drain out 1 Gallon of water to purify replacement filters.

