

Memo

Type of product			
Date of purchase			
Name		Tel	
Address			

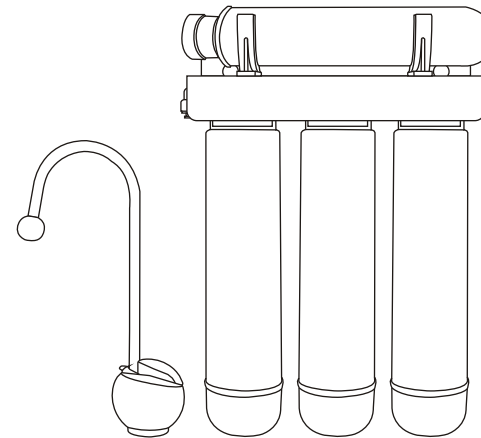


WATER FILTRATION SYSTEMS

RS3000UV

USER'S MANUAL

- 01 Introduction of RS3000UV
- 02 Cartridge filters
- 03 Components & Other selections
- 04 Tubing connection diagram
- 05 Installation diagram
- 06 Change filters



Thank you very much for selecting Pure-Pro Water Corp.
In order to bring the best use of your system, please read the user's manual carefully before installation and follow the regulations.

Introduction of RS3000UV

RS3000UV Undersink water filters

Our RS3000UV filters safely and effectively remove microorganisms like Giardia and Cryptosporidium from your water protecting you and your family from parasitic illnesses caused by these contaminants.

The patented quick-change filter technology also improves the taste and overall quality of your water by reducing the amount of Lead, Chlorine, Asbestos and other impurities often found in water supplies.

Ultraviolet Water Sterilizer

stainless steel 1gpm uv system

The knack of 1gpm PUREPRO UV system lies in employing the 254nm ultraviolet rays (UV-C) to caused immediate death for organisms or wipe out their ability to survive and reproduce.

Features

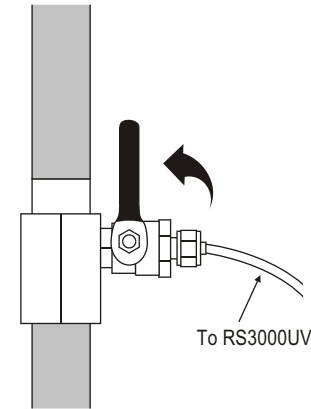
- Complete 4 stage water filter system.
- Use twist and quick-change cartridge design makes filter changes fast, clean and easy.
- Feed water connector & deliver valve
- Completely Assembled & Waterleaking testing
- 100% Factory Tested and Sterilized Ready for Installation.
- European design golden type faucet.(optional)

Specifications

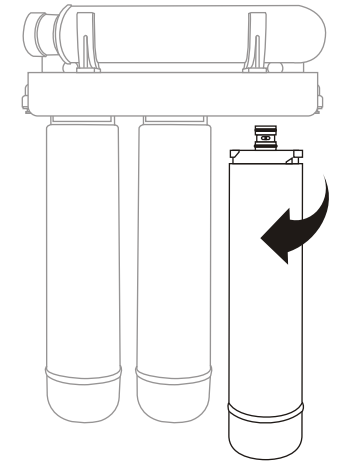
- Dimensions: (cm)34.0 (L)x 36.0(H) x9.0 (W)
- Weight: 5.5 kg

Change filters

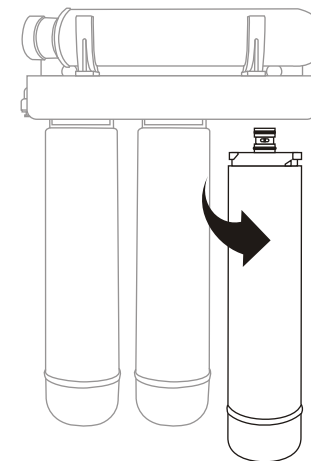
1. Turn off water source.



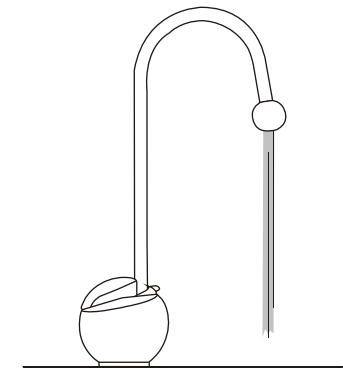
2. Loosen the used pre-filter clockwise and remove it.



3. Screw in and install the new filter anticlockwise.



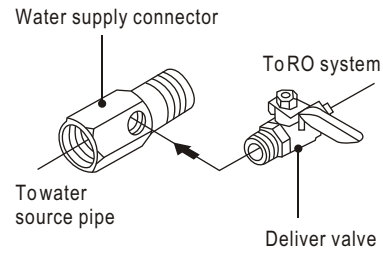
4. Turn on water supply.



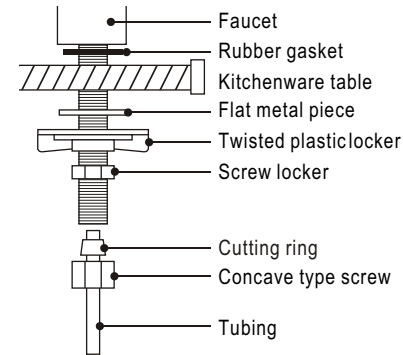
Drain out 1 Gallon of water to purify replacement filters.

Installation diagram

☉ Input water :



☉ Install European ceramic faucet :



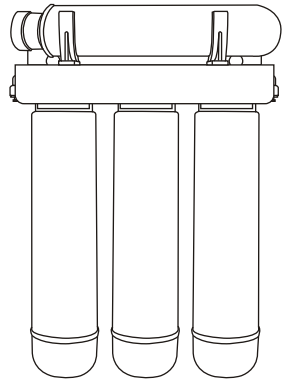
Cartridge filters

Filter Description

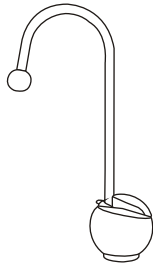
RS300ST	RS300ND	RS300RD	UV
1	2	3	UV
Stage 1 5 Micron Sediment Filter With only five micron rating. It is effective in removing dirt, rust and sand particles.	Stage 2 GAC Carbon Filter It takes out 99% of the chlorine and organic chemicals. It provides enhanced reduction of taste, odor, and color.	Stage 3 GAC Carbon Filter It takes out 99% of the chlorine and organic chemicals. It provides enhanced reduction of taste, odor, and color.	Stage 4 Ultraviolet Water Sterilizer This UV lamp utilizes the application of particularly efficient UV radiator with a 254nm wave length to cause immediate death for organisms and wipe out their ability to survive and reproduce. 99.99% DESTRUCTION OF BACTERIA AND VIRUSES

Components & Other selections

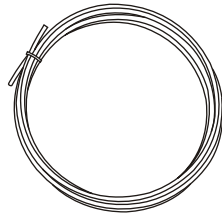
Components



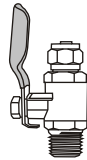
RS3000UV



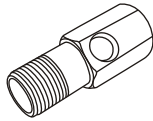
European ceramic faucet



Tubing

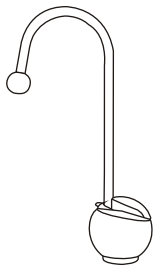


Deliver-valve

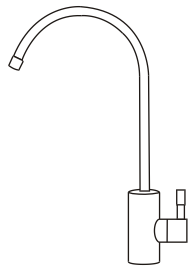


Water supply connector

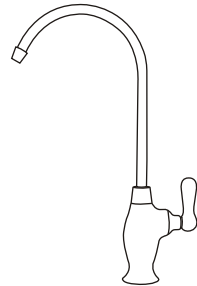
Other selections



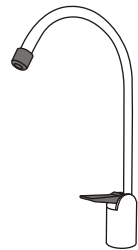
Faucet # 216



Faucet # 101



Faucet # 124

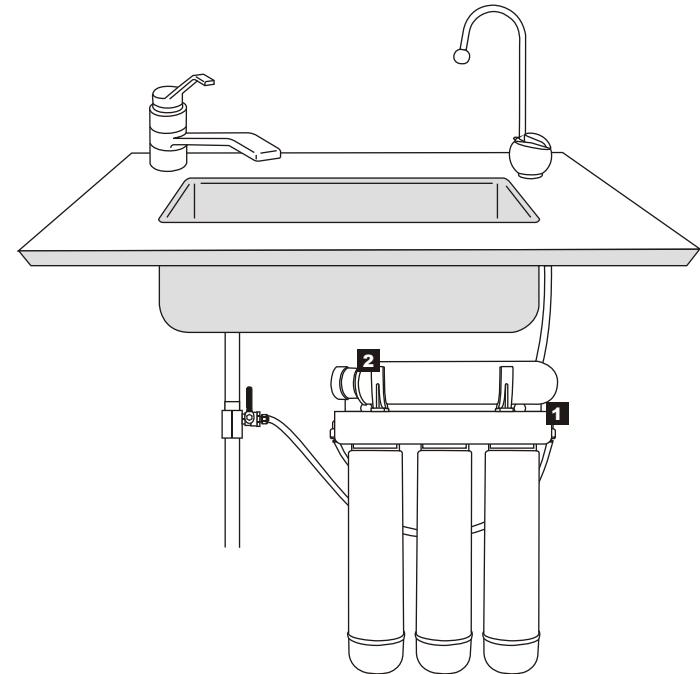


Faucet # 217

RS3000UV Easy-change cartridge water filters

Tubing connection diagram

- 1** In Let
- 2** Out Let



RS3000UV Easy-change cartridge water filters