

# Memo

Type of product			
Date of purchase			
Name		Tel	
Address			

PURE-PRO 07 REVERSE OSMOSIS SYSTEM

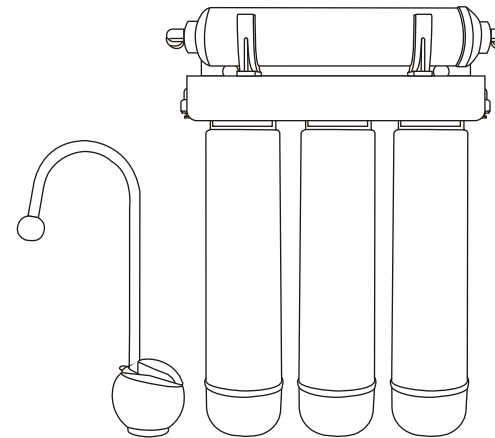
**PUREPRO**  
DRINKING WATER SYSTEM

**WATER FILTRATION SYSTEMS**

## **RS3000R**

### **USER'S MANUAL**

- 01 Introduction of RS3000R
- 02 Cartridge filters
- 03 Components & Other selections
- 04 Tubing connection diagram
- 05 Installation diagram
- 06 Change filters



**Thank you very much for selecting Pure-Pro Water Corp.**  
In order to bring the best use of your system, please read the user's manual carefully before installation and follow the regulations.

RS3000R Easy-change cartridge water filters

**PUREPRO**  
DRINKING WATER SYSTEM

# Introduction of RS3000R

## RS3000R Undersink water filters

Our RS3000R filters safely and effectively remove microorganisms like Giardia and Cryptosporidium from your water protecting you and your family from parasitic illnesses caused by these contaminants.

The patented quick-change filter technology also improves the taste and overall quality of your water by reducing the amount of Lead, Chlorine, Asbestos and other impurities often found in water supplies.

### Infra-Red Filter

The effect of Far-infra-red rays on our human body are as follows:

- Activates water molecules in our body
- Improve oxygen level in our body
- Warming and eliminating fats, chemicals and toxins from our blood & thus smoothing the flow of blood.
- Elimination of other waste from human body
- Reducing the acidic level in our body
- Nervous system functionality improvement.

### Features

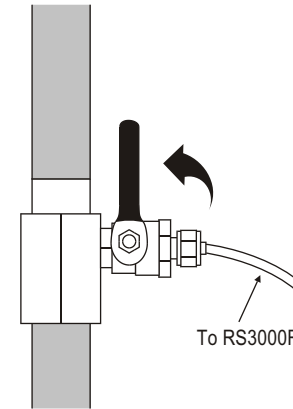
- Complete 4 stage water filter system.
- Use twist and quick-change cartridge design makes filter changes fast, clean and easy.
- Feed water connector & deliver valve
- Completely Assembled & Water leaking testing
- 100% Factory Tested and Sterilized Ready for Installation.
- European design goldentype faucet.(optional)

### Specifications

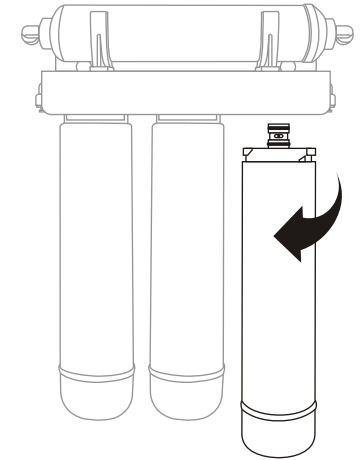
- Dimensions: (cm) 34.0 (L) x 36.0 (H) x 9.0 (W)
- Weight: 5.5 kg

# Change filters

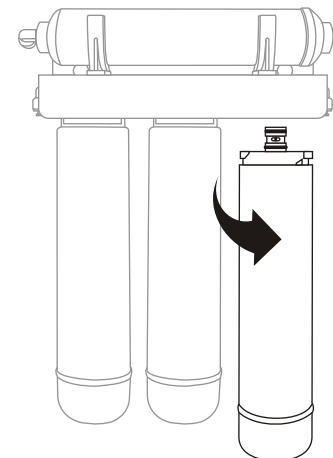
1. Turn off water source.



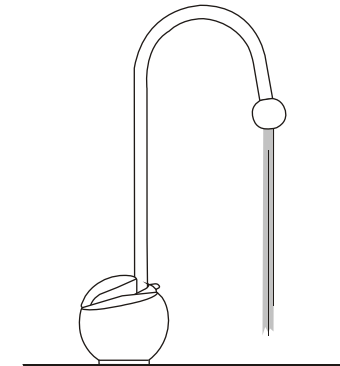
2. Loosen the used pre-filter clockwise and remove it.



3. Screw in and install the new filter anticlockwise.



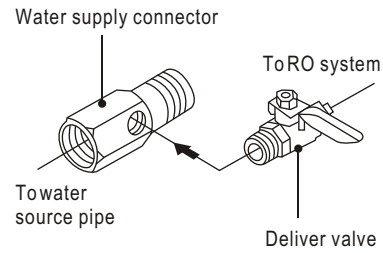
4. Turn on water supply.



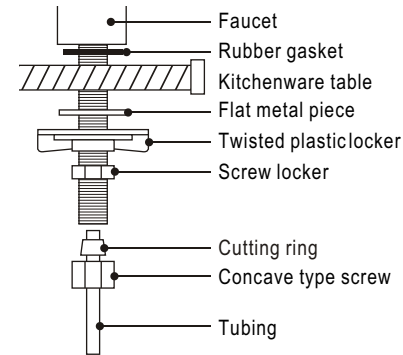
Drain out 1 Gallon of water to purify replacement filters.

# Installation diagram

## Input water :



## Install European ceramic faucet :



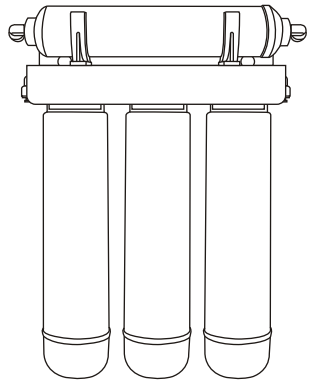
# Cartridge filters

## Filter Description

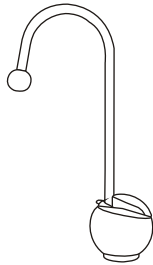
RS300ST	RS300ND	RS300RD	Infra-Red Filter
<b>1</b>	<b>2</b>	<b>3</b>	<b>4</b>
<b>Stage 1</b> <b>5 Micron Sediment Filter</b>	<b>Stage 2</b> <b>GAC Carbon Filter</b>	<b>Stage 3</b> <b>GAC Carbon Filter</b>	<b>Stage 4</b> <b>Infra-Red Filter</b>
With only five micron rating. It is effective in removing dirt, rust and sand particles.	It takes out 99% of the chlorine and organic chemicals. It provides enhanced reduction of taste, odor, and color.	It takes out 99% of the chlorine and organic chemicals. It provides enhanced reduction of taste, odor, and color.	This Infra-Red filter can activate water molecules in our body and improve oxygen level in our body. Warming and eliminating fats, chemicals and toxins from our blood and thus smoothing the flow of blood.

# Components & Other selections

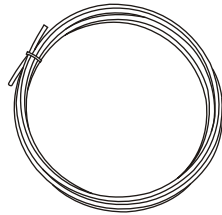
## Components



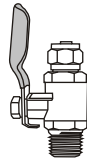
RS3000R



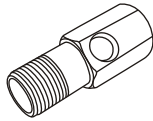
European ceramic faucet



Tubing

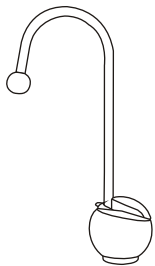


Deliver-valve

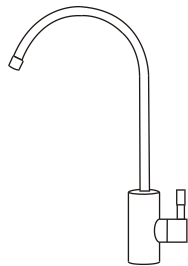


Water supply connector

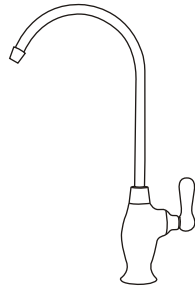
## Other selections



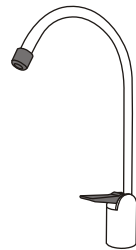
Faucet # 216



Faucet # 101



Faucet # 124

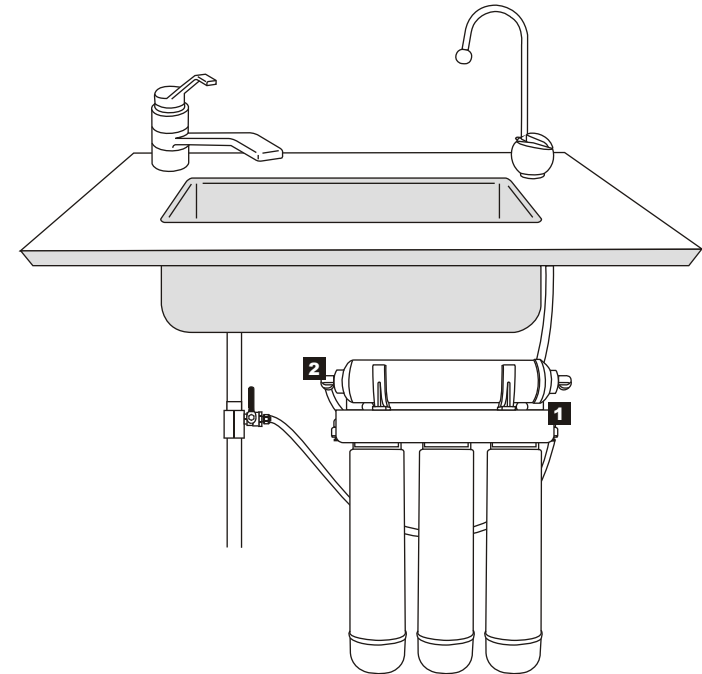


Faucet # 217

RS3000R Easy-change cartridge water filters

# Tubing connection diagram

- 1** In Let
- 2** Out Let



RS3000R Easy-change cartridge water filters